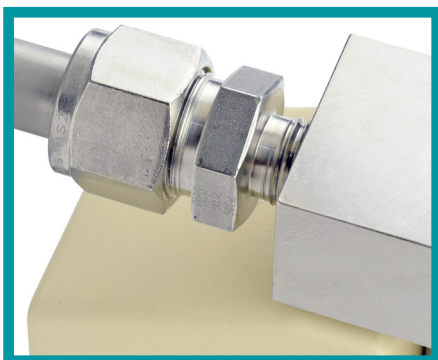


Flange Connection



Alarm Option: Inductive Slot Sensor

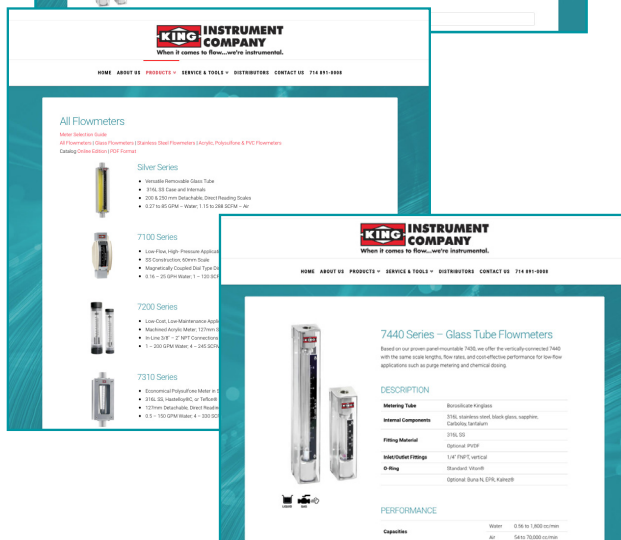
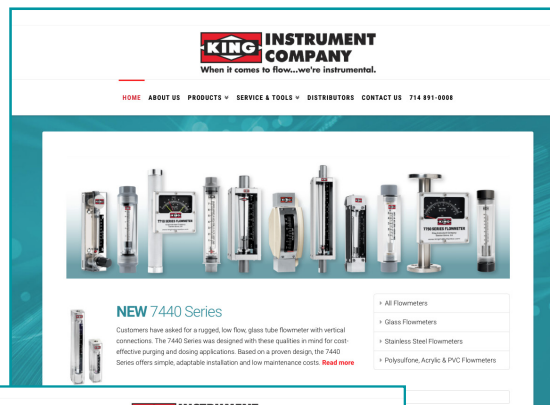


Threaded Fittings For Easy Replacement

## Check Out Our New Responsive Website!

### Now Optimized for Mobile Devices

- Detailed Product Specifications
- Alarm & Sensor Options
- PDF Data Sheets
- Meter Selection Guide
- Flowmeter Sizing
- Calibration Services
- Ordering Information
- And More



## New Flanged Connections



King Flowmeters are Designed,  
Manufactured, and Tested in the U.S.A.  
ISO 9001:2008 Quality Management System

Ph: (714) 891-0008 Fx: (714) 891-0023  
12700 Pala Drive, Garden Grove, CA 92841  
www.kinginstrumentco.com

**KING INSTRUMENT COMPANY**  
When it comes to flow...we're instrumental.

# New! 7100 With Flanged Connections

All 316L stainless steel construction with flanged connections makes this meter suitable for low-flow, high-pressure applications.



## ALARM OPTIONS:



7100 with Inductive Slot Sensor

### Inductive Slot Sensor

The alarm mechanism in this flowmeter is an inductive slot sensor. It is a 2-wire, DC, low current device designed to be used with a switch isolator / barrier.

The operating temperature range for this sensor is -13°F to 158°F (-25°C to 70°C).

Note: We can supply the isolator / barrier upon request, but the user must provide the power supply voltage.

## DESCRIPTION

<b>Metering Tube</b>	316L SS
<b>Internal Components</b>	316L SS, Hastelloy® C-276
<b>Case and Side Cover</b>	Die cast aluminum
<b>Fitting Material / Type</b>	316L SS ¼" FNPT, horizontal
<b>Scale Cover</b>	304 SS frame Annealed glass window
<b>O-Ring</b>	EPR, Buna N, Kalrez®

## PERFORMANCE

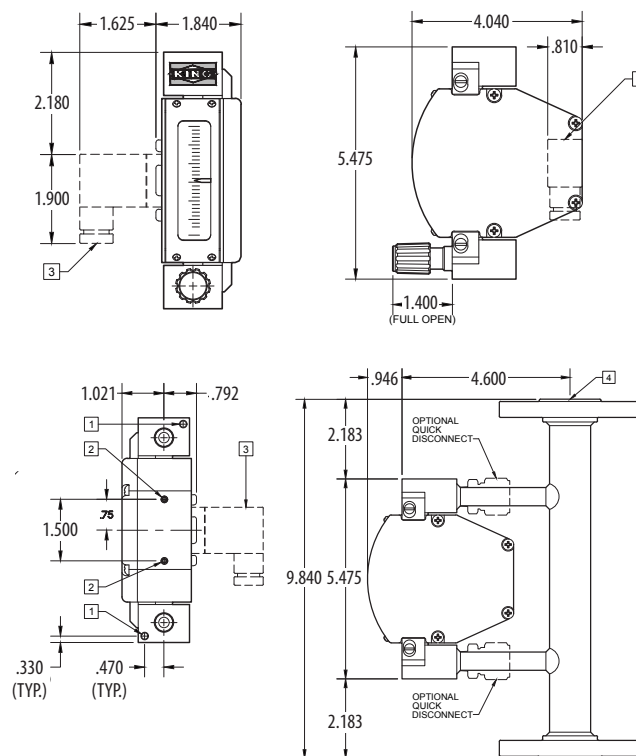
<b>Flow Capacities</b>	Water 0.6 to 25 GPH (2.4 to 95 LPH)	
	Air 1 to 120 SCFH (28.3 to 3,400 SLPH)	
<b>Accuracy</b>	± 5% of full scale flow	
<b>Repeatability</b>	1 %	
<b>Turndown</b>	10:1	
<b>Ambient Temperature</b>	-40°F to 125°F (-40°C to 52°C)	
<b>Maximum Temperature</b>	<b>O-Ring</b>	<b>Maximum Temperature</b>
	EPR	300° F (149° C)
	Buna N	275° F (135° C)
	Viton	350° F (177° C)
	Kalrez	400° F (204° C)
	No O-ring	400° F (204° C)
<b>Maximum Pressure</b>	Valve models — 1,500 psig Non-valve models — 4,000 psig	

## OPTIONS

<b>Alarm</b>	Single, Inductive Slot Sensor
<b>Certified Calibrations</b>	ISA RP 16.6
<b>Control Valves</b>	Inlet and outlet
<b>CRNs</b>	All Canadian provinces
<b>Rear Mounting Bracket</b>	304 SS
<b>Scales</b>	Any volumetric unit

Full Scale Flow Air SCFH	Full Scale Flow Air SLPH	Full Scale Flow Water GPH	Full Scale Flow Water LPH
1.0	28.3	.6	2.4
2.5	70	1.2	4.5
5.5	155	2.8	10.5
13	360	5.5	20
24	680	12	45
55	1550	25	95
120	3400		

## DIMENSIONS (INCHES)



- 1 10-32 THREADED PANEL MOUNTING HOLES (2 PLACES)
- 2 10-32 THREADED HOLE FOR OPTIONAL MOUNTING BRACKET (2 PLACES)
- 3 OPTIONAL ALARM CONNECTION (BACKSIDE OF CASE)
- 4 FLANGE CONNECTION (½", ¾", 1" - 150# FLANGES / QUICK DISCONNECT OPTIONAL)