

Economical machined cast acrylic block construction makes these meters great for OEM use. Optional inlet metering valve available.



DESCRIPTION

Metering Tube	Machined cast acrylic
Internal Components	316L SS
Fitting Material	Standard: PVC (brass for 2C block size) Optional: 316L SS or brass
Inlet/Outlet Fittings	NPT, horizontal Control valve optional
O-Ring	Standard: EPR Optional: Buna N, Viton®, and Kalrez®

PERFORMANCE

Capacities	Water 7 GPH to 20 GPM Air 2.6 SCFH to 60 SCFM
Scale	50mm, 75mm, 100mm, 127mm, 250mm direct reading
Accuracy	± 6% of full scale flow, 50 mm scale ± 4% of full scale flow, 75 mm scale ± 4% of full scale flow, 100 mm scale ± 7% of full scale flow, 6C-04, 6C-06 ± 3% of full scale flow, 127 mm scale ± 2% of full scale flow, 250 mm scale
Turndown	10:1
Repeatability	3%, 50 mm scale 2%, 75 mm scale 2%, 100 mm scale 4%, 6C-04, 6C-06 2%, 127 mm scale 0.5%, 250 mm scale
Maximum Temperature	Liquid 130° F (54° C) Gases 100° F (38° C)
Maximum Pressure	Water 125 psig Air 100 psig
Ambient Temperature	33° F to 125° F (1° C to 52° C)

OPTIONS

Certified Calibrations	Conform to ISA RP 16.6
Scales	Any volumetric unit

7520 / 7530 Series Specifications

Acrylic Tube

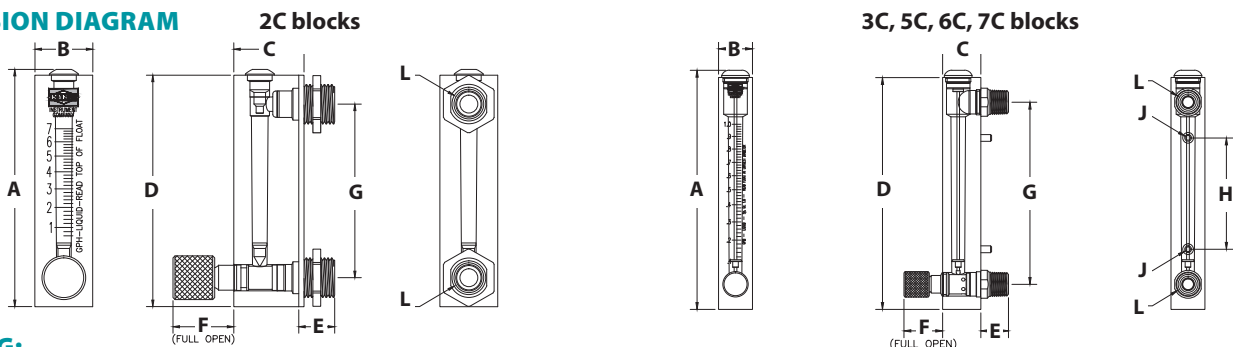
Order Number	Flow Water	Order Number	Flow Air	Dimensions (Inches)								Diameter L	Connection Size
				A	B	C	D	E	F	G			
Block #2C, 50mm (2 Inch) Scale													
-	-	2C-01*	2.6 SCFH	4.125	1	1.215	4	.50	1.05	3	.700	1/4" FNPT	
-	-	2C-03	5 SCFH	4.125	1	1.215	4	.50	1.05	3	.700	1/4" FNPT	
-	-	2C-05*	10 SCFH	4.125	1	1.215	4	.50	1.05	3	.700	1/4" FNPT	
-	-	2C-07*	20 SCFH	4.125	1	1.215	4	.50	1.05	3	.700	1/4" FNPT	
2C-02	7 GPH	2C-09	30 SCFH	4.125	1	1.215	4	.50	1.05	3	.700	1/4" FNPT	
2C-04	12 GPH	2C-11	60 SCFH	4.125	1	1.215	4	.50	1.05	3	.700	1/4" FNPT	
2C-06	22 GPH	2C-13	100 SCFH	4.125	1	1.215	4	.50	1.05	3	.700	1/4" FNPT	
2C-08	44 GPH	2C-15	180 SCFH	4.125	1	1.215	4	.50	1.05	3	.700	1/4" FNPT	
2C-10	60 GPH	2C-17	4 SCFM	4.125	1	1.215	4	.50	1.05	3	.700	1/4" FNPT	
2C-12	75 GPH	—	—	4.125	1	1.215	4	.50	1.05	3	.700	1/4" FNPT	

*These meters have glass ball floats

Order Number	Flow Water	Order Number	Flow Air	Dimensions (Inches)								Connections & Mounting			
				A	B	C	D	E	F	G	Connection Size	Centerline H	Thread J	Diameter L	
Block #3C, 75mm (3 Inch) Scale															
3C-02	1 GPM	3C-01	4 SCFM	6.875	1.20	1.35	6.625	1	1.37	5	1/2" MNPT x 1/4" FNPT	3	.25 - 20	1	
3C-04	2 GPM	3C-03	8 SCFM	6.875	1.20	1.35	6.625	1	1.37	5		3	.25 - 20	1	
3C-06	3.5 GPM	3C-05	15 SCFM	6.875	1.20	1.35	6.625	1	1.37	5		3	.25 - 20	1	
3C-08	5 GPM	3C-07	23 SCFM	6.875	1.20	1.35	6.625	1	1.37	5		3	.25 - 20	1	
Block #5C, 127mm (5 Inch) Scale															
5C-10	10 GPH	5C-11	42 SCFH	8.45	1.20	1.35	8.25	1	1.37	6.437	1/2" MNPT x 1/4" FNPT	3.937	.25 - 20	1	
5C-12	20 GPH	5C-13	100 SCFH	8.45	1.20	1.35	8.25	1	1.37	6.437		3.937	.25 - 20	1	
5C-14	40 GPH	5C-15	175 SCFH	8.45	1.20	1.35	8.25	1	1.37	6.437		3.937	.25 - 20	1	
5C-02	1 GPM	5C-01	4 SCFM	8.45	1.20	1.35	8.25	1	1.25	6.437		3.937	.25 - 20	1	
5C-04	100 GPH	5C-03	6.8 SCFM	8.45	1.20	1.35	8.25	1	1.37	6.437		3.937	.25 - 20	1	
5C-06	2 GPM	5C-05	8.2 SCFM	8.45	1.20	1.35	8.25	1	1.37	6.437		3.937	.25 - 20	1	
5C-08	5 GPM	5C-07	22 SCFM	8.45	1.20	1.35	8.25	1	1.37	6.437		3.937	.25 - 20	1	
Block #6C, 100mm (4 Inch) Scale															
6C-02	10 GPM	6C-01	40 SCFM	9.125	1.78	1.812	8.875	1.25	1.875	6.50	1" MNPT	4	.25 - 20	1.375	
6C-04	15 GPM	6C-03	60 SCFM	9.125	1.78	1.812	8.875	1.25	1.875	6.50		4	.25 - 20	1.375	
6C-06	20 GPM	—	—	9.125	1.78	1.812	8.875	1.25	1.875	6.50		4	.25 - 20	1.375	
Block #7C, 250mm (10 Inch) Scale															
7C-02	2 GPM	7C-01	8 SCFM	14.50	1.78	1.812	14.25	.75	1.75	12.25	1/2" FNPT	8.75	.375 - 24	1.25	
7C-04	3.5 GPM	7C-03	14.4 SCFM	14.50	1.78	1.812	14.25	.75	1.75	12.25		8.75	.375 - 24	1.25	
7C-06	5 GPM	7C-05	20 SCFM	14.50	1.78	1.812	14.25	.75	1.75	12.25		8.75	.375 - 24	1.25	
7C-08	10 GPM	7C-07	42 SCFM	14.50	1.78	1.812	14.25	.75	1.75	12.25		8.75	.375 - 24	1.25	

Blocks 3C, 5C, 6C and 7C have mounting studs depicted in dimension "H" and thread "J". (Mounting nuts not supplied)

DIMENSION DIAGRAM



ORDERING:

Use the following guide to determine the specific product number you require.

7	5				
Meter Series	Fitting Material	O-Ring Material	Valve Material	Order Number	
7520 No valve	Brass - 1	EPR - 1	Brass - 1	See Specifications table	
7530 With valve	PVC - 2 (2C not available in PVC)	Buna-N - 2	316L SS - 2		
	316L SS - 3	Viton® - 3	Without Valve - 0		