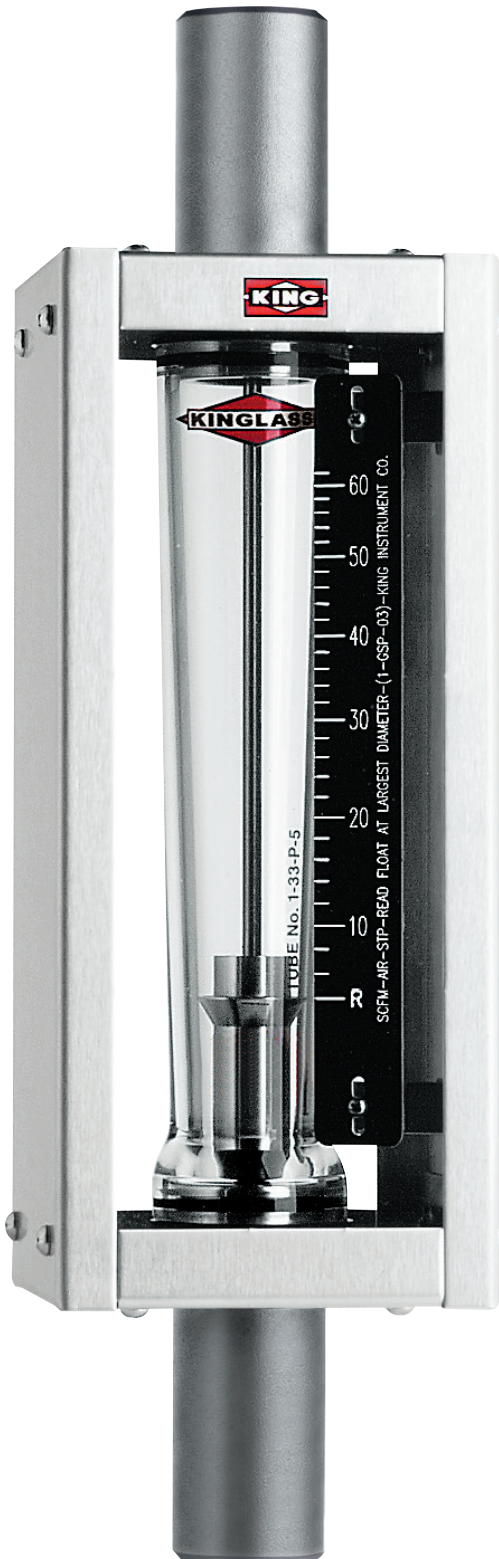


Available with NPT or flange connections, vertical or horizontal, this 127 mm scale glass tube meter offers value and versatility in 304 stainless steel case construction.



DESCRIPTION

Metering Tube	Borosilicate Kinglass
Internal Components	Standard: 316L SS Optional: Hastelloy® C-276
Fitting Material	Standard: 316L SS Optional: PVC (vertical connections only)
Inlet/Outlet Fittings	FNPT or flange, vertical or horizontal
O-Ring	Standard: Viton® Optional: Buna-N, EPR, and Kalrez®
Case and Covers	304 SS case Polycarbonate shield

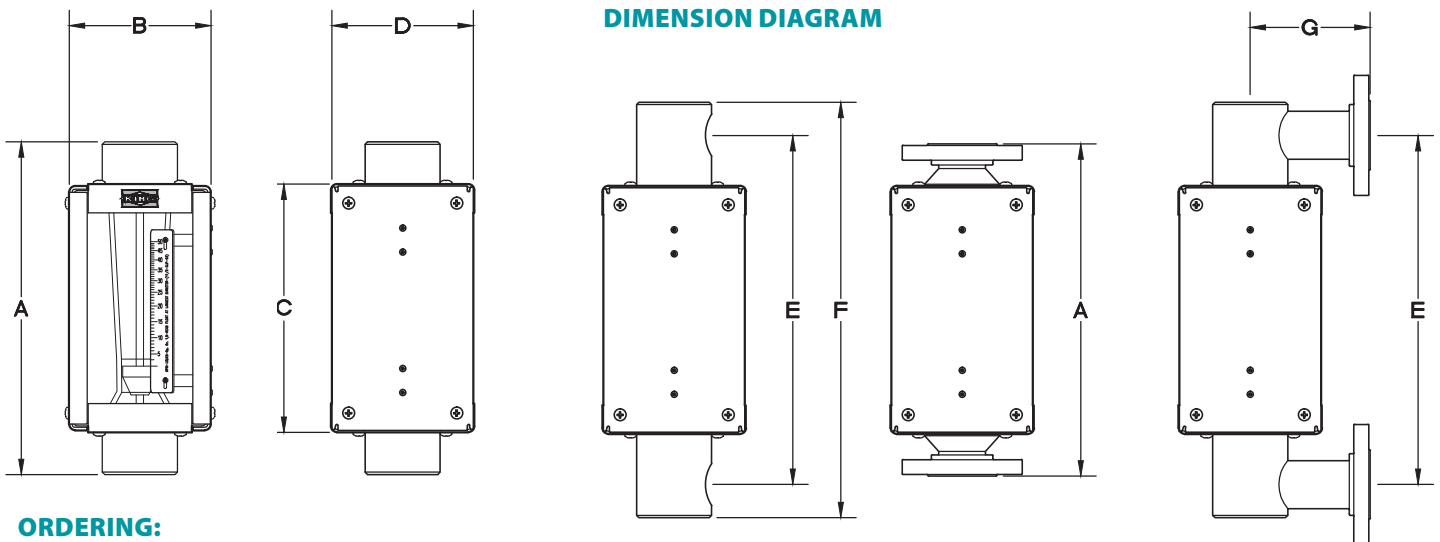
PERFORMANCE

Capacities	Water 0.25 to 116 GPM Air 1 to 245 SCFM
Scale	127 mm (5") Direct reading, detachable
Accuracy	± 3% of full scale flow
Turndown	10:1
Repeatability	0.5%
Max Temperature	316L SS fittings Gases 250° F (121° C) Liquids 200° F (93° C) PVC fittings Liquid 110° F (43° C)
Max Pressure	316L SS fittings 250 psig, size 3 & 4 316L SS fittings 200 psig, size 5 & 6 316L SS fittings 150 psig, size 8 & 9 PVC fittings 150 psig
Ambient Temperature	33° F to 125° F (1° C to 52° C)

OPTIONS

Alarm	Latching Reed Switch
Certified Calibrations	Conform to ISA RP 16.6
Scales	Any volumetric unit

Order No.	Full Scale		Order No.	Full Scale		Float Number	Float Type	Press. Drop In W.C.	Tube Size - Number	Dimensions (Inches)							Connection Size	
	Flow GPM - Water	Alarm Opt.		Flow SCFM - Air	Alarm Opt.					A	B	C	D	E	F	G	FNPT	Flange
31W	.25	No	31A	1.0	No	3/8-LPG-01	LP	---	3G - 3/8-20-G-5	14.78	4.22	10.13	4.22	12.50	14.32	3.56	3/4"	1/2"
32W	.36	No	32A	1.5	No	3/8-SLG-01	SL	2	3G - 3/8-20-G-5	14.78	4.22	10.13	4.22	12.50	14.32	3.56	3/4"	1/2"
33W	.74	No	33A	3.0	No	3/8-SLG-02	SL	5	3G - 3/8-20-G-5	14.78	4.22	10.13	4.22	12.50	14.32	3.56	3/4"	1/2"
41W	1.0	No	41A	4.2	No	1/2-LPG-01	LP	6	4G - 1/2-27-G-5	14.78	4.22	10.13	4.22	12.50	14.32	3.56	3/4"	1/2"
43W	2.0	Yes	43A	8.2	Yes	1/2-SLG-01	GS	10	4G - 1/2-27-G-5	14.78	4.22	10.13	4.22	12.50	14.32	3.56	3/4"	1/2"
51W	1.5	No	51A	6.0	No	3/4-LPG-01	LP	3	5G - 3/4-30-G-5	14.78	4.22	10.13	4.22	12.50	14.32	4.00	3/4"	1"
52W	3.8	Yes	52A	16.0	Yes	3/4-GSG-01	GS	10	5G - 3/4-30-G-5	14.78	4.22	10.13	4.22	12.50	14.32	4.00	3/4"	1"
53W	5.0	Yes	53A	21.5	Yes	3/4-SLG-01	SL	14	5G - 3/4-30-G-5	14.78	4.22	10.13	4.22	12.50	14.32	4.00	3/4"	1"
61W	6.0	No	61A	25.5	No	1-GVP-01	GV	5	6P - 1-33-P-5	14.78	4.22	10.13	4.22	12.50	14.32	4.00	3/4"	1"
62W	7.4	No	62A	30.0	No	1-GVP-02	GV	6	6P - 1-33-P-5	14.78	4.22	10.13	4.22	12.50	14.32	4.00	3/4"	1"
63W	9.6	No	63A	40.0	No	1-GSP-01	GS	10	6P - 1-33-P-5	14.78	4.22	10.13	4.22	12.50	14.32	4.00	3/4"	1"
64W	11.0	No	64A	45.0	No	1-GSP-02	GS	13	6P - 1-33-P-5	14.78	4.22	10.13	4.22	12.50	14.32	4.00	3/4"	1"
65W	14.0	No	65A	62.0	No	1-GSP-03	GS	24	6P - 1-33-P-5	14.78	4.22	10.13	4.22	12.50	14.32	4.00	3/4"	1"
66W	20.0	Yes	66A	90.0	Yes	1-SLP-01	SL	39	6P - 1-33-P-5	14.78	4.22	10.13	4.22	12.50	14.32	4.00	3/4"	1"
67W	26.0	Yes	---	---	---	1-SLP-02	SL	45	6P - 1-33-P-5	14.78	4.22	10.13	4.22	12.50	14.32	4.00	3/4"	1"
81W	22.0	Yes	81A	90.0	Yes	1 1/2-GVP-01	GV	16	8P - 1 1/2-34-P-5	13.86	5.90	10.18	5.90	14.50	17.25	5.00	1 1/2"	1 1/2"
82W	30.0	No	82A	125.0	No	1 1/2-GVP-02	SL	23	8P - 1 1/2-34-P-5	13.86	5.90	10.18	5.90	14.50	17.25	5.00	1 1/2"	1 1/2"
83W	44.0	Yes	83A	180.0	Yes	1 1/2-SLP-01	SL	30	8P - 1 1/2-34-P-5	13.86	5.90	10.18	5.90	14.50	17.25	5.00	1 1/2"	1 1/2"
84W	50.0	Yes	84A	200.0	Yes	1 1/2-SLP-02	SL	35	8P - 1 1/2-34-P-5	13.86	5.90	10.18	5.90	14.50	17.25	5.00	1 1/2"	1 1/2"
85W	61.0	Yes	85A	250.0	Yes	1 1/2-SLP-03	SL	40	8P - 1 1/2-34-P-5	13.86	5.90	10.18	5.90	14.50	17.25	5.00	1 1/2"	1 1/2"
91W	41.0	Yes	91A	160.0	Yes	2-GVP-01	GV	5	9P - 2-33-P-5	13.86	5.90	10.18	5.90	14.50	17.25	5.00	1 1/2"	1 1/2"
92W	60.0	Yes	92A	245.0	Yes	2-GSP-01	GS	16	9P - 2-33-P-5	13.86	5.90	10.18	5.90	14.50	17.25	5.00	1 1/2"	1 1/2"
93W	86.0	Yes	---	---	---	2-SLP-01	SL	25	9P - 2-33-P-5	13.86	5.90	10.18	5.90	14.50	17.25	5.00	1 1/2"	1 1/2"
94W	116.0	Yes	---	---	---	2-SLP-02	SL	45	9P - 2-33-P-5	13.86	5.90	10.18	5.90	14.50	17.25	5.00	1 1/2"	1 1/2"



ORDERING:

Use the following guide to determine the specific product number you require.

Meter Series	Fitting Material	Float Material	O-Ring Material	Order Number	Alarm Option
7 4 7	Vertical FNPT - 316L SS - 1	316L SS - 2	EPR - 1	See Specification table above	Check Specifications table for availability
	Horizontal FNPT - 316L SS - 2	Hastelloy® C-276 - 4	Buna - N - 2		Without Alarm - 0
	Vertical Flange - 150# - 3		Viton® - 3		With Alarm - 1
	Vertical Flange - 300# - 4		Kalrez® - 4		
	Horizontal Flange - 150# - 5				
	Horizontal Flange - 300# - 6				
	Vertical FNPT-PVC - 7 (not for air)				