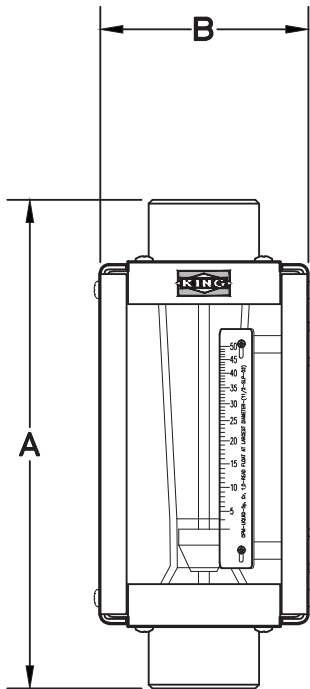


# 7470 Series Flowmeters



Available with NPT or flange connections, vertical or horizontal, this 127 mm scale glass tube meter offers value and versatility in 304 stainless case construction.

## DESCRIPTION

### Metering Tube

Borosilicate Kinglass

### Internal Components

Standard: 316L Stainless Steel  
Optional: Hastelloy® C-276

### Inlet/Outlet Fittings

FNPT or Flange, Vertical or Horizontal

### Fitting Material

Standard: 316L Stainless Steel  
Optional: PVC  
(vertical connections only)

### Elastomers

Standard: Viton®  
Optional: Buna-N, EPR, and Kalrez®

### Case and Covers

304 Stainless Steel Case  
Polycarbonate Shield

## PERFORMANCE

### Capacities

0.25 to 116 GPM — Water  
1 to 245 SCFM — Air

### Scale

127 mm (5")  
Direct reading, detachable

### Accuracy

± 3% of Full Scale Flow

### Turndown

10:1 unless otherwise indicated

### Repeatability

0.5%

### Max Temperature

**316L SS Fittings**  
250° F (121° C) - Gases  
200° F (93° C) - Liquid

### PVC Fittings

110° F (43° C) - Liquid

### Max Pressure

316L SS Fittings— 250 psig, size 3 & 4  
316L SS Fittings— 200 psig, size 5 & 6  
316L SS Fittings— 150 psig, size 8 & 9  
PVC Fittings — 150 psig all sizes

### Ambient Temperature

33° F to 125° F (1° C to 52° C)

## OPTIONS

### Alarm

Latching reed switch

### Certified Calibrations

Conform to ISA RP 16.6

### Scales

Can be produced in any volumetric unit

## SPECIFICATIONS:

Order No.	GPM Water	Alarm Opt.	Order No.	SCFM Air	Alarm Opt.	Float Number	Float Type	Press.Drop (W.C.)	Tube Size Number	Dimensions (Inches)		Connection Size	
										A	B	FNPT	Flange
31W	.25	No	31A	1.0	No	3/8-LPG-01	LP	---	3G - 3/8-20-G-5	14.78	4.22	3/4"	1/2"
32W	.36	No	32A	1.5	No	3/8-SLG-01	SL	2	3G - 3/8-20-G-5	14.78	4.22	3/4"	1/2"
33W	.74	No	33A	3.0	No	3/8-SLG-02	SL	5	3G - 3/8-20-G-5	14.78	4.22	3/4"	1/2"
41W	1.0	No	41A	4.2	No	1/2-LPG-01	LP	6	4G - 1/2-27-G-5	14.78	4.22	3/4"	1/2"
43W	2.0	Yes	43A	8.2	Yes	1/2-SLG-01	GS	10	4G - 1/2-27-G-5	14.78	4.22	3/4"	1/2"
51W	1.5	No	51A	6.0	No	3/4-LPG-01	LP	3	5G - 3/4-30-G-5	14.78	4.22	3/4"	1"
52W	3.8	Yes	52A	16.0	Yes	3/4-GSG-01	GS	10	5G - 3/4-30-G-5	14.78	4.22	3/4"	1"
53W	5.0	Yes	53A	21.5	Yes	3/4-SLG-01	SL	14	5G - 3/4-30-G-5	14.78	4.22	3/4"	1"
61W	6.0	No	61A	25.5	No	1-GVP-01	GV	5	6P - 1-33-P-5	14.78	4.22	3/4"	1"
62W	7.4	No	62A	30.0	No	1-GVP-02	GV	6	6P - 1-33-P-5	14.78	4.22	3/4"	1"
63W	9.6	No	63A	40.0	No	1-GSP-01	GS	10	6P - 1-33-P-5	14.78	4.22	3/4"	1"
64W	11.0	No	64A	45.0	No	1-GSP-02	GS	13	6P - 1-33-P-5	14.78	4.22	3/4"	1"
65W	14.0	No	65A	62.0	No	1-GSP-03	GS	24	6P - 1-33-P-5	14.78	4.22	3/4"	1"
66W	20.0	Yes	66A	90.0	Yes	1-SLP-01	SL	39	6P - 1-33-P-5	14.78	4.22	3/4"	1"
67W	26.0	Yes	—	—	—	1-SLP-02	SL	45	6P - 1-33-P-5	14.78	4.22	3/4"	1"
81W	22.0	Yes	81A	90.0	Yes	1 1/2-GVP-01	GV	16	8P - 1 1/2-34-P-5	13.86	5.90	1 1/2"	1 1/2"
82W	30.0	No	82A	125.0	No	1 1/2-GVP-02	SL	23	8P - 1 1/2-34-P-5	13.86	5.90	1 1/2"	1 1/2"
83W	44.0	Yes	83A	180.0	Yes	1 1/2-SLP-01	SL	30	8P - 1 1/2-34-P-5	13.86	5.90	1 1/2"	1 1/2"
84W	50.0	Yes	84A	200.0	Yes	1 1/2-SLP-02	SL	35	8P - 1 1/2-34-P-5	13.86	5.90	1 1/2"	1 1/2"
85W	61.0	Yes	85A	250.0	Yes	1 1/2-SLP-03	SL	40	8P - 1 1/2-34-P-5	13.86	5.90	1 1/2"	1 1/2"
91W	41.0	Yes	91A	160.0	Yes	2-GVP-01	GV	5	9P - 2-33-P-5	13.86	5.90	1 1/2"	1 1/2"
92W	60.0	Yes	92A	245.0	Yes	2-GSP-01	GS	16	9P - 2-33-P-5	13.86	5.90	1 1/2"	1 1/2"
93W	86.0	Yes	—	—	—	2-SLP-01	SL	25	9P - 2-33-P-5	13.86	5.90	1 1/2"	1 1/2"
94W	116.0	Yes	—	—	—	2-SLP-02	SL	45	9P - 2-33-P-5	13.86	5.90	1 1/2"	1 1/2"

## ORDERING:

Use the following guide to determine the specific product number you require.

Meter Series	Fitting Material	Float Material	O-Ring Material	Order Number	Alarm Option
7 4 7	Vertical FNPT - 316L SS - 1 Horizontal FNPT - 316L SS - 2 Vertical Flange - 150# - 3 Vertical Flange - 300# - 4 Horizontal Flange - 150# - 5 Horizontal Flange - 300# - 6 Vertical FNPT-PVC* - 7	316L SS - 2 Hastelloy® C-276 - 4	EPR - 1 Buna - N - 2 Viton® - 3 Kalrez® - 4	See Specification Table Above	Without Alarm - 0 With Alarm - 1 Check Specifications Table For Availability

\*not for air service