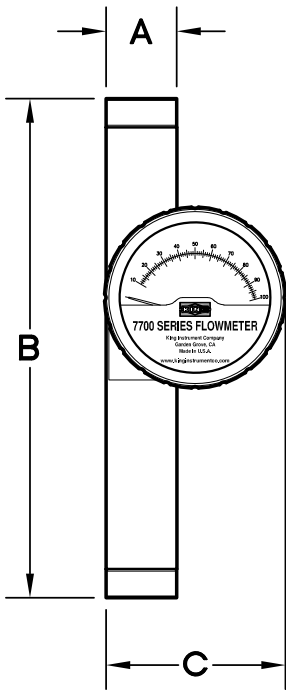


# 7720 Series Flowmeters

Type 1, Grade 1 PVC tube meters offer chemical resistance. The dial type display makes measuring opaque fluids simple. A 4-20mA transmitter is optional.



## DESCRIPTION

**Metering Tube**  
Type 1, Grade 1 PVC

**Internal Components**  
Hastelloy® C-276

**Inlet/Outlet Fittings**  
NPT or Flange, Vertical

**Fitting Material**  
Type 1, Grade 1 PVC

**Elastomers**  
Standard: Viton®  
Optional: Buna N, EPR, Kalrez®

**Case and Covers**  
Not applicable

**Indicator Housing**  
Die-cast Aluminum / Powder  
Coated with Chemfilm base  
(RoHS Compliant)

## PERFORMANCE

**Capacities**  
33 GPH to 450 GPM — Water

**Scale**  
120 mm  
Direct reading, detachable

**Accuracy**  
± 3% of Full Scale Flow

**Turndown**  
10:1  
unless otherwise indicated

**Repeatability**  
1 %

**Max Temperature**  
130° F (54° C)

**Max Pressure**  
150 psig, sizes 4 & 6  
125 psig, sizes 8, 9, 11, 12

**Ambient Temperature**  
33° F to 125° F (1° C to 52° C)

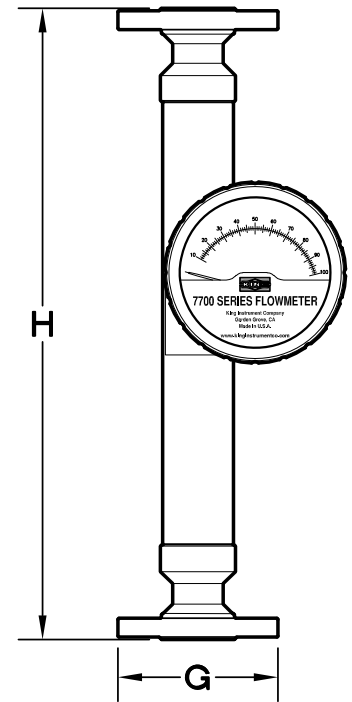
## OPTIONS

**Alarm**  
Single or Dual, Inductive  
Slot Sensor 4-20 mA Transmitter

**Certified Calibrations**  
Conform to ISA RP 16.6

**Scales**  
Can be produced in any  
volumetric unit

Order Number	GPM Water	Dimension (Inches) FNPT Connections			150 # Flange		300 # Flange	
		A	B	C	G	H	G	H
706	33.0 GPH - 1/2" FNPT	1.30	11	4.32	3.50	13.125	3.75	13.625
708	1.1 GPM - 1/2" FNPT	1.30	11	4.32	3.50	13.125	3.75	13.625
710	2.0 GPM - 1/2" FNPT	1.30	11	4.32	3.50	13.125	3.75	13.625
712	4.0 GPM - 1/2" FNPT	1.30	11	4.32	3.50	13.125	3.75	13.625
714	6.0 GPM - 1/2" FNPT	1.30	11	4.32	3.50	13.125	3.75	13.625
716	5.0 GPM - 1" FNPT	1.88	13.24	4.86	4.25	16.75	4.88	17.500
718	10.0 GPM - 1" FNPT	1.88	13.24	4.86	4.25	16.75	4.88	17.500
720	16.5 GPM - 1" FNPT	1.88	13.24	4.86	4.25	16.75	4.88	17.500
722	25.0 GPM - 1" FNPT	1.88	13.24	4.86	4.25	16.75	4.88	17.500
724	35.0 GPM - 1 1/2" FNPT	2.34	13.864	5.24	5.00	18.625	6.12	19.250
726	60.0 GPM - 1 1/2" FNPT	2.34	13.864	5.24	5.00	18.625	6.12	19.250
728	76.0 GPM - 2" FNPT	3.46	13.875	6.35	6.00	17.156	6.50	17.786
730	100.0 GPM - 2" FNPT	3.46	13.875	6.35	6.00	17.156	6.50	17.786
732	120.0 GPM - 2" FNPT	3.46	13.875	6.35	6.00	17.156	6.50	17.786
734	152.0 GPM - 2" FNPT	3.46	13.875	6.35	6.00	17.156	6.50	17.786
736	150.0 GPM - 3" Flange	4.46	—	7.26	7.50	17.867	8.25	18.867
738	225.0 GPM - 3" Flange	4.46	—	7.26	7.50	17.867	8.25	18.867
740	300.0 GPM - 4" Flange	5.49	—	8.24	9.00	18.562	10.00	19.696
742	375.0 GPM - 4" Flange	5.49	—	8.24	9.00	18.562	10.00	19.696
744	450.0 GPM - 4" Flange	5.49	—	8.24	9.00	18.562	10.00	19.696
707	4.0 SCFM - 1/2" FNTP	1.30	11	4.32	3.50	13.125	3.75	13.625
709	8.0 SCFM - 1/2" FNTP	1.30	11	4.32	3.50	13.125	3.75	13.625
711	16.5 SCFM - 1/2" FNTP	1.30	11	4.32	3.50	13.125	3.75	13.625
713	24 SCFM - 1/2" FNTP	1.30	11	4.32	3.50	13.125	3.75	13.625
715	20 SCFM - 1" FNTP	1.88	13.24	4.86	4.25	16.75	4.88	17.500
717	42 SCFM - 1" FNTP	1.88	13.24	4.86	4.25	16.75	4.88	17.500
719	76 SCFM - 1" FNTP	1.88	13.24	4.86	4.25	16.75	4.88	17.500
721	100 SCFM - 1" FNTP	1.88	13.24	4.86	4.25	16.75	4.88	17.500



## ORDERING:

Use the following guide to determine the specific product number you require.

Meter Series	Connection Type	Float Material	O-ring Material	Optional Alarm/Transmitter	Order Number
772	FNPT Connections - 1 150# R.F. Flanged - 2	Hastelloy® C-276 - 4	EPR - 1 Buna-N - 2 Viton® - 3 Kalrez® - 4	None - 0 With Transmitter - T One Alarm (Inductive Slot Sensor) - A Two Alarms (Inductive Slot Sensors) - D	See Specifications Table