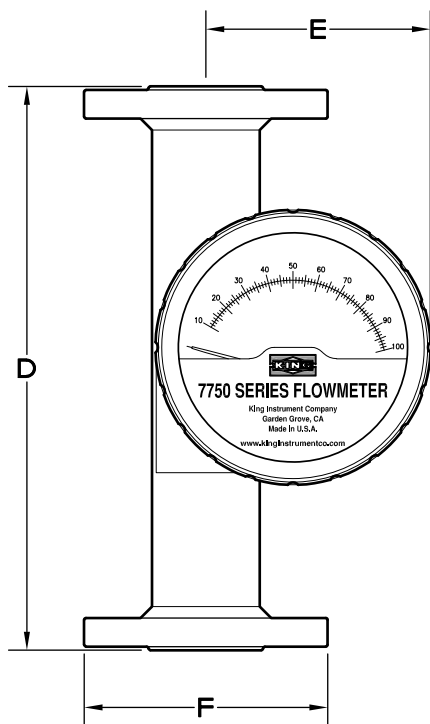


7750 Series Flowmeters



These 316L Stainless Steel meters feature flange connections, all welded construction (no elastomers), and an end to end length of 250mm. A float and tapered tube design provides longer, more linear scales. A 4-20mA transmitter option adds to its versatility.

DESCRIPTION

- Overall Length**
250 Millimeters
- Metering Tube**
316L Stainless Steel
- Internal Components**
316L Stainless Steel
- Inlet/Outlet Fittings**
150# or 300# Flange, Vertical
- Elastomers**
All Welded Construction, No O rings or Gaskets
- Indicator Housing**
Die-cast Aluminum / Powder Coated with Chemfilm base (RoHS Compliant)
- Flange Material**
316L Stainless Steel
- Scale**
120 mm Direct reading, detachable

PERFORMANCE

- Capacities**
33 GPH to 16.5 GPM — Water
2.2 SCFM to 76 SCFM — Air
- Scale**
120 mm
Direct reading, detachable
- Accuracy**
± 3% of Full Scale Flow
- Turndown**
10:1
- Repeatability**
1%
- Max Temperature**
400° F (204° C)
- Temp F**

	150#	300#
200°	225 psi	600 psi
300°	200 psi	540 psi
400°	180 psi	515 psi

- Max Pressure**
Stainless Steel Flange Class
- Ambient Temperature**
-40° F to 400° F
(-40° C to 204° C)

OPTIONS

- Alarm**
Single or Dual, Inductive Slot Sensor 4-20 mA Transmitter
- Certified Calibrations**
Conform to ISA RP 16.6
- Scales**
Can be produced in any volumetric unit

SPECIFICATIONS:

Order Number	GPM Water	Meter	Meter		150 # Flange		300 # Flange	
			D	E	F	G		
706	33.0 GPH	1/2"	9.84	3.67	3.50	3.75		
708	1.1 GPM	1/2"	9.84	3.67	3.50	3.75		
710	2.0 GPM	1/2"	9.84	3.67	3.50	3.75		
712	4.0 GPM	1/2"	9.84	3.67	3.50	3.75		
716	5.0 GPM	1"	9.84	3.92	4.25	4.88		
718	10.0 GPM	1"	9.84	3.92	4.25	4.88		
720	16.5 GPM	1"	9.84	3.92	4.25	4.88		

Order Number	SCFM Air	Meter	Meter		150 # Flange		300 # Flange	
			D	E	F	G		
705	2.2 SCFM	1/2"	9.84	3.83	3.50	3.75		
707	4 SCFM	1/2"	9.84	3.83	3.50	3.75		
709	8 SCFM	1/2"	9.84	3.83	3.50	3.75		
711	16.5 SCFM	1/2"	9.84	3.83	3.50	3.75		
715	20 SCFM	1"	9.84	3.95	4.25	4.88		
717	42 SCFM	1"	9.84	3.95	4.25	4.88		
719	76 SCFM	1"	9.84	3.95	4.25	4.88		

ORDERING:

Use the following guide to determine the specific product number you require.

Meter Series	Connection Type	Float Material	O-ring Material	Optional Alarm/Transmitter	Order Number
775	150# R.F. Flanged - 2 300# R.F. Flanged - 3	316L SS - 2	No O-ring - 0	None - 0 With Transmitter - T One Alarm (Inductive Slot Sensor) - A Two Alarms (Inductive Slot Sensors) - D	See Specifications Table