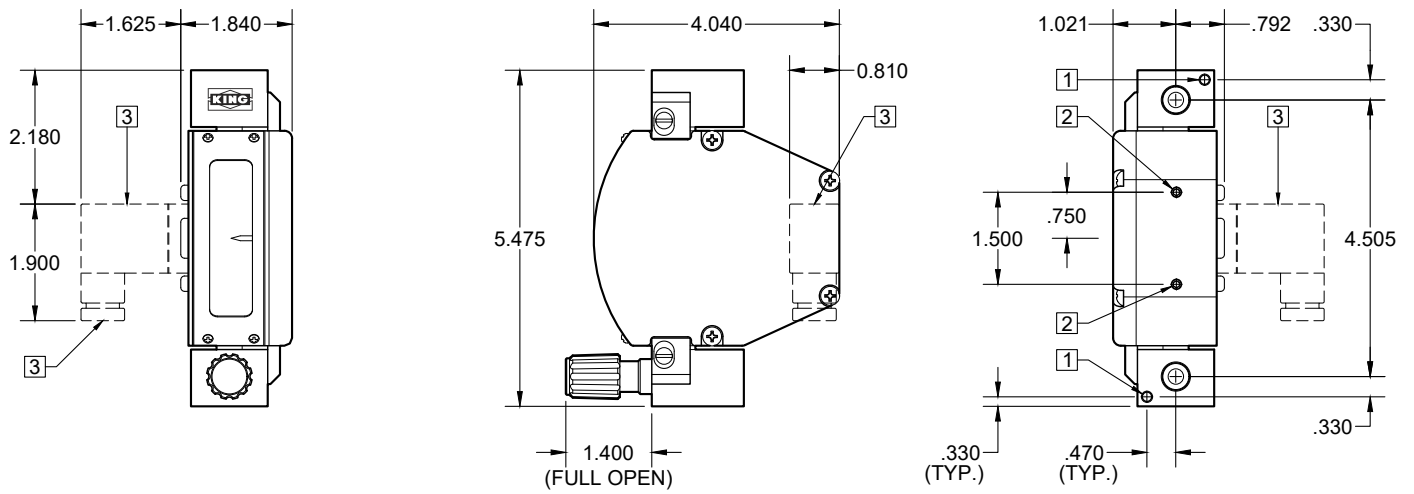


# 7100 Dimension Drawings

STAINLESS STEEL TUBE

## DIMENSION DIAGRAMS (INCHES)



- 1 10-32 THREADED PANEL MOUNTING HOLES (2 PLACES)
- 2 10-32 THREADED HOLE FOR OPTIONAL MOUNTING BRACKET (2 PLACES)
- 3 OPTIONAL ALARM CONNECTION (BACKSIDE OF CASE)
- 4 FLANGE CONNECTION ( $\frac{1}{2}$ " / 1" - 150# FLANGES / QUICK DISCONNECT OPTIONAL)

