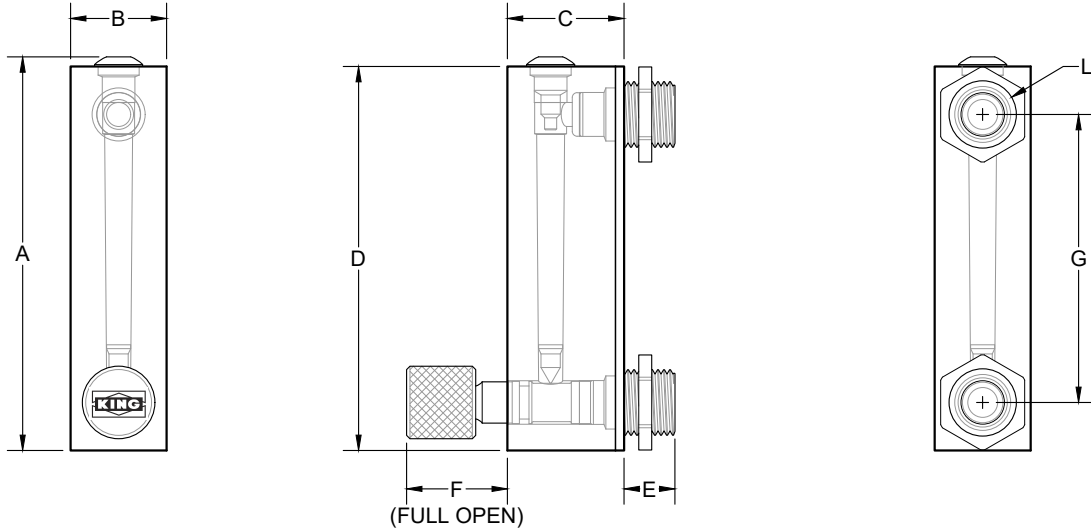


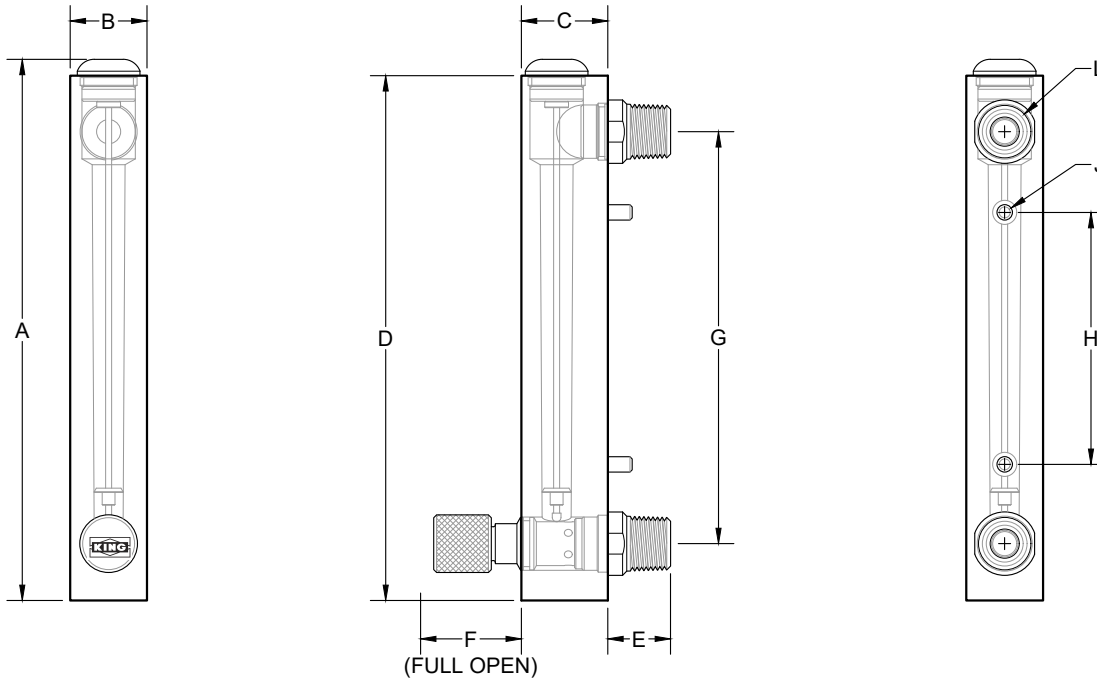
# 7520 / 7530 Dimension Drawings

ACRYLIC TUBE

## 2C Blocks



## 3C, 5C, 6C, 7C Blocks



Water Order Number	Air Order Number	Dimensions (Inches)							Connections & Mounting			
		A	B	C	D	E	F	G	Connection Size	Centerline H	Thread J	Diameter L
<b>Block #2C, 50mm (2 Inch) Scale</b>												
2C-02 – 2C-12	2C-01 - 2C-17	4.125	1	1.215	4	.50	1.05	3	1/4" FNPT			.700
<b>Block #3C, 75mm (3 Inch) Scale</b>												
3C-02 – 3C-08	3C-01 - 3C-07	6.875	1.20	1.35	6.625	1	1.37	5	1/2" MNPT x 1/4" FNPT	3	.25 - 20	1
<b>Block #5C, 127mm (5 Inch) Scale</b>												
5C-10 – 5C-08	5C-11 - 5C-07	8.45	1.20	1.35	8.25	1	1.37	6.437	1/2" MNPT x 1/4" FNPT	3.937	.25 - 20	1
<b>Block #6C, 100mm (4 Inch) Scale</b>												
6C-02 – 6C-06	6C-01 - 6C-03	9.125	1.78	1.812	8.875	1.25	1.875	6.437	1" MNPT	3.937	.25 - 20	1.375
<b>Block #7C, 250mm (10 Inch) Scale</b>												
7C-02 – 7C-08	7C-01 - 7C-07	14.50	1.78	1.812	14.25	.75	1.75	12.25	1/2" FNPT	8.75	.375 - 24	1.25