

7520 / 7530 Series

ACRYLIC TUBE

Economical machined cast acrylic block construction makes these meters great for OEM use. Optional inlet metering valve available.



DESCRIPTION

Metering Tube	Machined cast acrylic
Internal Components	316L SS
Fitting Material	Standard: PVC (brass for 2C block size) Optional: 316L SS or brass
Inlet/Outlet Fittings	NPT, horizontal Control valve optional
O-Ring	Standard: EPR Optional: Buna N, Viton®, and Kalrez®

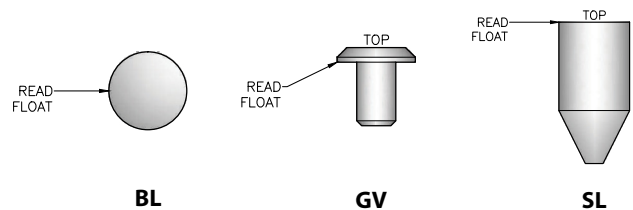
PERFORMANCE

Capacities	Water 7 GPH to 20 GPM Air 2.6 SCFH to 60 SCFM
Scale	50mm, 75mm, 100mm, 127mm, 250mm direct reading
Accuracy	± 6% of full scale flow, 50 mm scale ± 4% of full scale flow, 75 mm scale ± 4% of full scale flow, 100 mm scale ± 7% of full scale flow, 6C-04, 6C-06 ± 3% of full scale flow, 127 mm scale ± 2% of full scale flow, 250 mm scale
Turndown	10:1 Unless otherwise noted
Repeatability	3%, 50 mm scale 2%, 75 mm scale 2%, 100 mm scale 4%, 6C-04, 6C-06 2%, 127 mm scale 0.5%, 250 mm scale
Maximum Temperature	Liquid 130° F (54° C) Gases 100° F (38° C)
Maximum Pressure	Water 150 psig Air 125 psig
Ambient Temperature	33° F to 125° F (1° C to 52° C)

OPTIONS

Certified Calibrations	Conform to ISA RP 16.6
Scales	Any volumetric unit

FLOATS



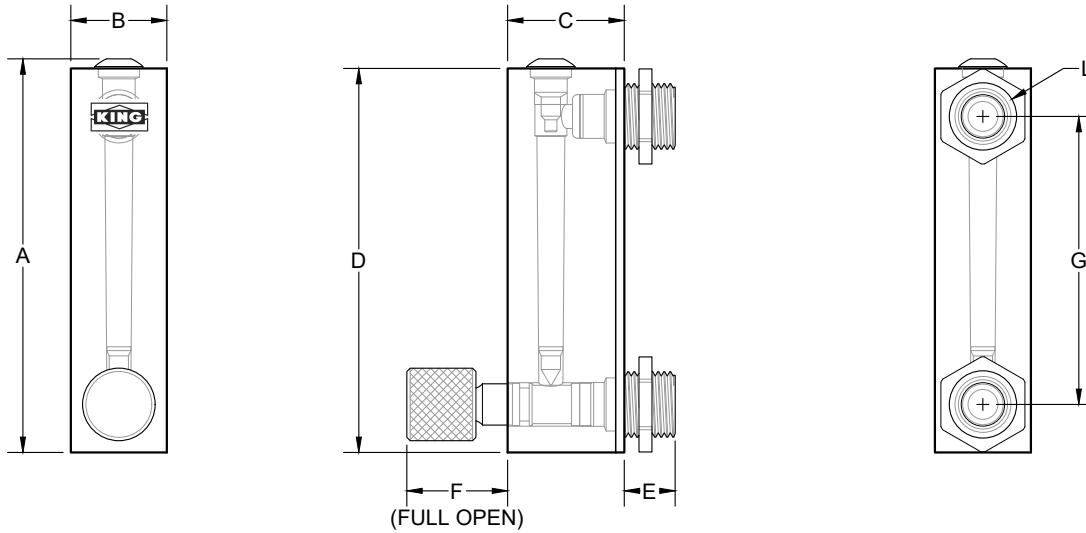
CAUTION: Meters used in gas service are designed to operate at 14.7 psia. Meters used in pressure gas service must be shielded using 3/8" polycarbonate to protect personnel and equipment in the event of tube failure.

7520 / 7530 Specifications

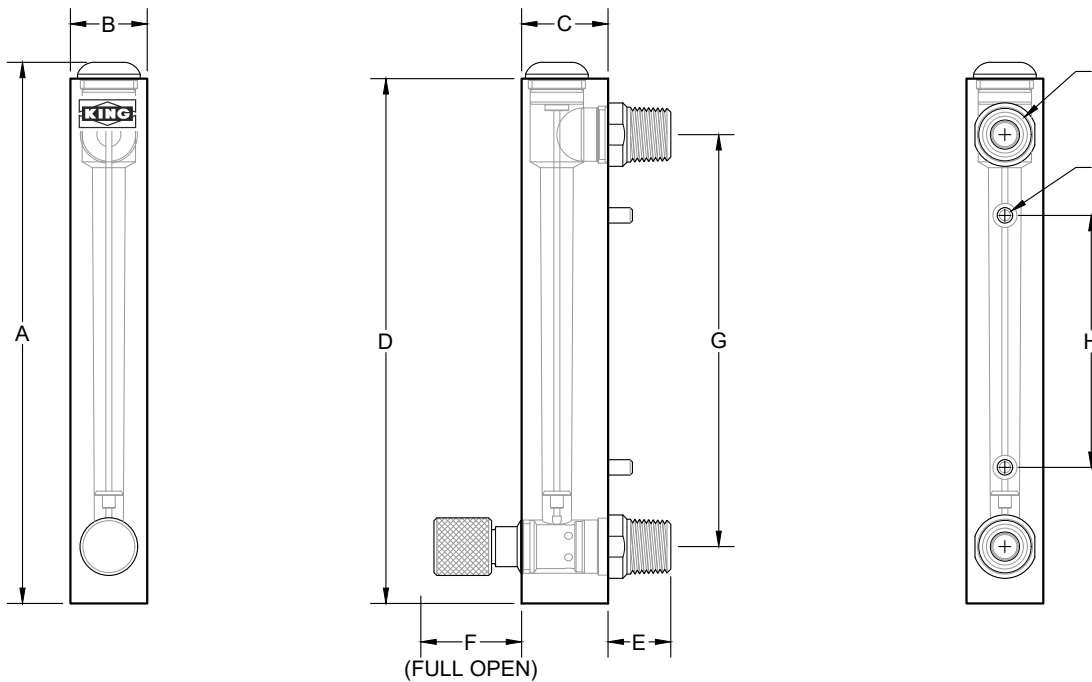
ACRYLIC TUBE

DIMENSION DIAGRAMS

2C BLOCK



3C / 5C / 6C / 7C BLOCKS



Water Order Number	Air Order Number	Dimensions (Inches)							Connections & Mounting			
		A	B	C	D	E	F	G	Connection Size	Centerline H	Thread J	Diameter L
Block #2C, 50mm (2 Inch) Scale												
2C-02 - 2C-12	2C-01 - 2C-17	4.125	1	1.215	4	.50	1.05	3	1/4" FNPT			.700
Block #3C, 75mm (3 Inch) Scale												
3C-02 - 3C-08	3C-01 - 3C-07	6.875	1.20	1.35	6.625	1	1.37	5	1/2" MNPT x 1/4" FNPT	3	.25 - 20	1
Block #5C, 127mm (5 Inch) Scale												
5C-10 - 5C-08	5C-11 - 5C-07	8.45	1.20	1.35	8.25	1	1.37	6.437	1/2" MNPT x 1/4" FNPT	3.937	.25 - 20	1
Block #6C, 100mm (4 Inch) Scale												
6C-02 - 6C-06	6C-01 - 6C-03	9.125	1.78	1.812	8.875	1.25	1.875	6.437	1" MNPT	3.937	.25 - 20	1.375
Block #7C, 250mm (10 Inch) Scale												
7C-02 - 7C-08	7C-01 - 7C-07	14.50	1.78	1.812	14.25	.75	1.75	12.25	1/2" FNPT	8.75	.375 - 24	1.25

7520 / 7530 Specifications

ACRYLIC TUBE

Order Number	Float	Flow Water	Order Number	Float	Flow Air
Block #2C, 50mm (2 Inch) Scale					
-	-	-	2C-01*	BL	2.6 SCFH
-	-	-	2C-03**	BL	5 SCFH
-	-	-	2C-05*	BL	10 SCFH
-	-	-	2C-07*	BL	20 SCFH
2C-02	SL	7 GPH	2C-09**	BL	30 SCFH
2C-04	SL	12 GPH	2C-11	SL	60 SCFH
2C-06	SL	22 GPH	2C-13	SL	100 SCFH
2C-08	SL	44 GPH	2C-15	SL	180 SCFH
2C-10	SL	60 GPH	2C-17	SL	4 SCFM
2C-12	SL	75 GPH	-	-	-

*These meters have glass ball floats

**These meters have stainless steel ball floats.

Order Number	Float	Flow Water	Order Number	Float	Flow Air
Block #3C, 75mm (3 Inch) Scale					
3C-02	GV	1 GPM	3C-01	GV	4 SCFM
3C-04	GV	2 GPM	3C-03	GV	8.2 SCFM
3C-06	SL	3.5 GPM	3C-05	SL	15 SCFM
3C-08	SL	5 GPM	3C-07	SL	23 SCFM
Block #5C, 127mm (5 Inch) Scale					
5C-10	GV	10 GPH	5C-11	GV	42 SCFH
5C-12	SL	20 GPH	5C-13	SL	100 SCFH
5C-14	SL	40 GPH	5C-15***	SL	175 SCFH
5C-02	GV	1 GPM	5C-01	GV	4 SCFM
5C-04	GV	100 GPH	5C-03	GV	6.8 SCFM
5C-06	GV	2 GPM	5C-05	GV	8.2 SCFM
5C-08	SL	5 GPM	5C-07	SL	22 SCFM
Block #6C, 100mm (4 Inch) Scale					
6C-02	SL	10 GPM	6C-01	SL	40 SCFM
6C-04	SL	15 GPM	6C-03	SL	60 SCFM
6C-06	SL	20 GPM	-	-	-
Block #7C, 250mm (10 Inch) Scale					
7C-02	GV	2 GPM	7C-01	GV	8 SCFM
7C-04	GV	3.5 GPM	7C-03	GV	14.4 SCFM
7C-06	GS	5 GPM	7C-05	GS	20 SCFM
7C-08	SL	10 GPM	7C-07	SL	42 SCFM

Blocks 3C, 5C, 6C and 7C have mounting studs depicted in dimension "H" and thread "J". (Mounting nuts not supplied)

*** These meters have less than 10:1 turndown.

ORDERING:

Use the following guide to determine the specific product number you require.

Meter Series	Fitting Material	O-Ring Material	Valve Material	Order Number	Scale
7520 No valve	Brass - 1	EPR - 1	Brass - 1	See Specifications	Standard - Leave Blank
7530 With valve	PVC - 2 (2C not available in PVC) 316L SS - 3	Buna-N - 2 Viton® - 3	316L SS - 2 Without Valve - 0		Non Standard - N